

ELOK

5-SERIES



Black



Silver



Bluetooth



Pinpad



RFID Card



Mechanical Key

Features:

- Exterior IP55 Rated
- Wi-Fi Compatible with Gateway
- 60-70mm Adjustable Deadbolt
- Built in Auto Lock Sensor
- Lock/Unlock Switch (Interior Side)
- Available in Black or Silver
- Powered by 4x AA Alkaline Batteries



Security With Certainty.

The E-LOK 5-Series comes with a built in Auto Lock Sensor, and included is an Auto Lock Magnet. These work in conjunction, to ensure an Automatic Locking sequence takes place when the door closes again after Entry, or Exit.

The 5-Series, comes in two stylish finishes of Black, or Silver, meaning it matches a range of different joinery.

With it's wide plated, but sleek and compact design, the 5-Series is perfect for a retrofit situation. It uses the same E-LOK App as the 6,7,8 & 9 Series, allowing for useful and smart functions such as Passage Mode, and Various Unlock Methods.



Unlock Via
Backlit Electronic
Keypad



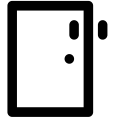
Unlock Via
RFID Card



Bluetooth
Connection Via
E-LOK App



Remote Functions
Via E-LOK
Gateway

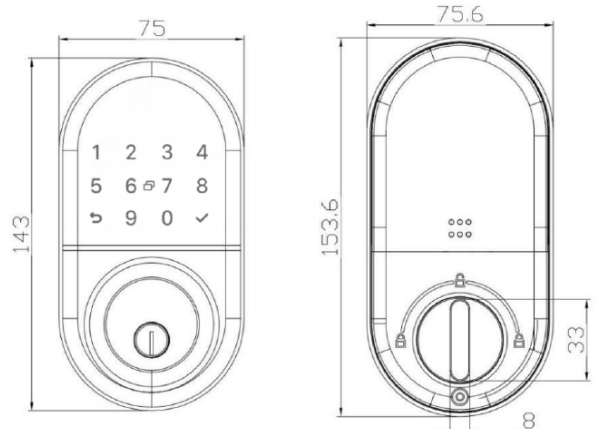
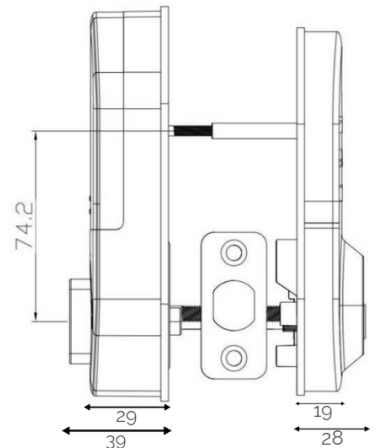


Built in
Auto Lock
Sensor

Quick Tech Specs:

- Batteries:** 6V (4xAA Alkaline) included
- Compatible with:** E-LOK App and E-LOK Gateway Wi-Fi Access
- Suitable Door Thickness:** 33-58mm
- Max Num. PIN Codes:** 150 PIN Codes
- Max Num. RFID Cards:** 200 RFID Cards
- Operating Humidity:** 0%-95%
- Product Size (body only):** (See Photo)
- Available Backsets:** 60mm-70mm Adjustable Backset Deadbolt
- 5-Series Residential Warranty:** 2 Year Mechanical & Electrical

- Common Variants:**
- 505-60-BLK (5-Series Black + 60-70mm Deadbolt)
- 505-60-SLV (5-Series Silver + Deadbolt)



E-LOK.com
sales@elementshardware.co.nz