



# ELOK

## 6-SERIES



Black



Silver



**Bluetooth**



**Pinpad**



**RFID Card**



**Mechanical Key**

### Features:

- Exterior IP55 Rated
- Wi-Fi Compatible with Gateway
- 60-70mm Adjustable Latch
- Auto-lock or Passage mode
- Perfect for Retrofit Situations
- Available in Black or Silver
- Powered by 4x AA Alkaline Batteries

# In With The New.



The E-LOK 6-Series is perfect for a retrofit situation. It's wide plate can cover the standard 54mm hole, yet still host a sleek and compact design. The smartest choice when replacing an old leverset.

The 6-Series, comes in two stylish finishes of Black, or Silver, meaning it matches a range of different joinery.

The 6-Series uses the same E-LOK App as the 5,7,8 & 9 Series, hosting functions like Auto-Lock, Passage Mode, availability to view Unlock Records, set Passcodes, Cards, and more.



Unlock Via  
Backlit Electronic  
Keypad



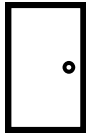
Unlock Via  
RFID Card



Bluetooth  
Connection Via  
E-LOK App



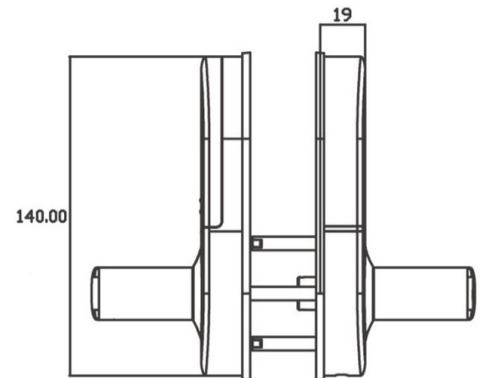
Remote Functions  
Via E-LOK  
Gateway



Perfect for  
Retrofit Situations

## Quick Tech Specs:

- Batteries:** 6V (4xAA Alkaline) included
- Compatible with:** E-LOK App and E-LOK Gateway Wi-Fi Access
- Suitable Door Thickness:** 35mm-65mm
- Max Num. PIN Codes:** 150 PIN Codes
- Max Num. RFID Cards:** 200 RFID Cards
- Operating Humidity:** 0%-95%
- Product Size (body only):** 140mm(H) x72mm(W) x19mm(D)
- Available Backsets:** 60mm-70mm Adjustable Backset Latch
- 6-Series Residential Warranty:** 2 Year Mechanical & Electrical



### Common Variants:

- 605-60-BLK (6-Series Black + 60-70mm Latch)
- 605-60-SLV (6-Series Silver + Latch)

