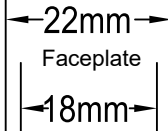


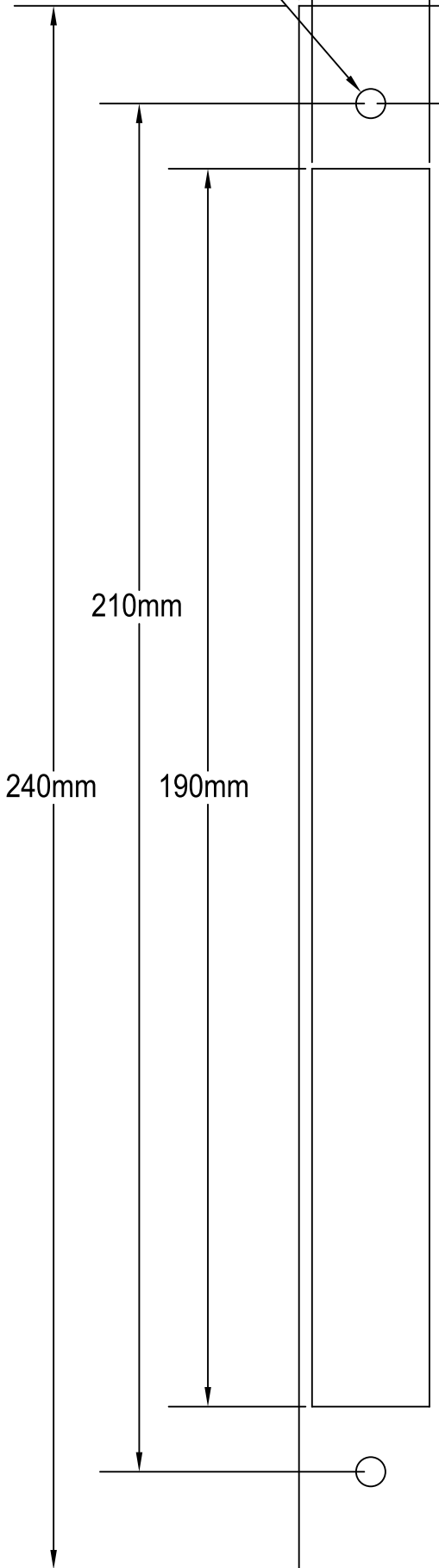
ELOK

50mm Backset

Width



$\phi 4.5$

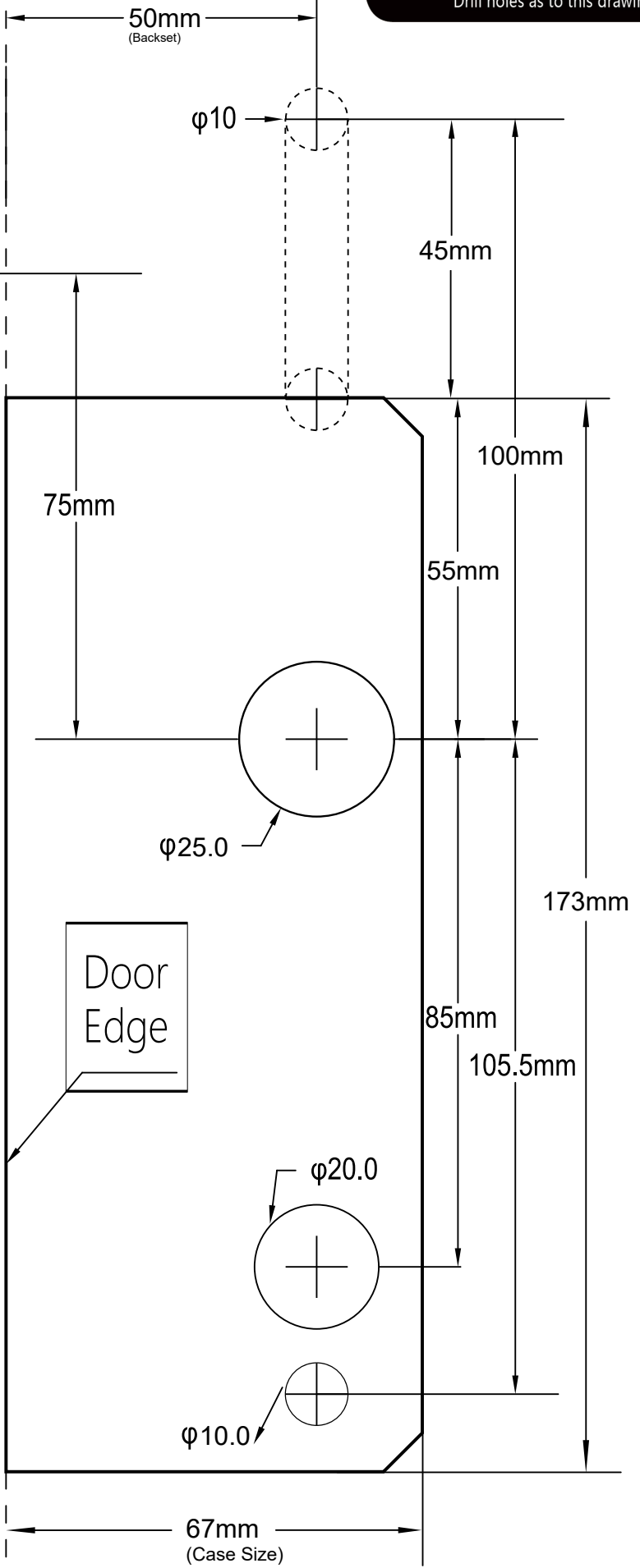


Sliding Screw Design.
Drill hole to actual position

Hole-drilling Drawing

Ratio 1:1

Drill holes as to this drawing



Door Edge