

ELOK

70mm Backset

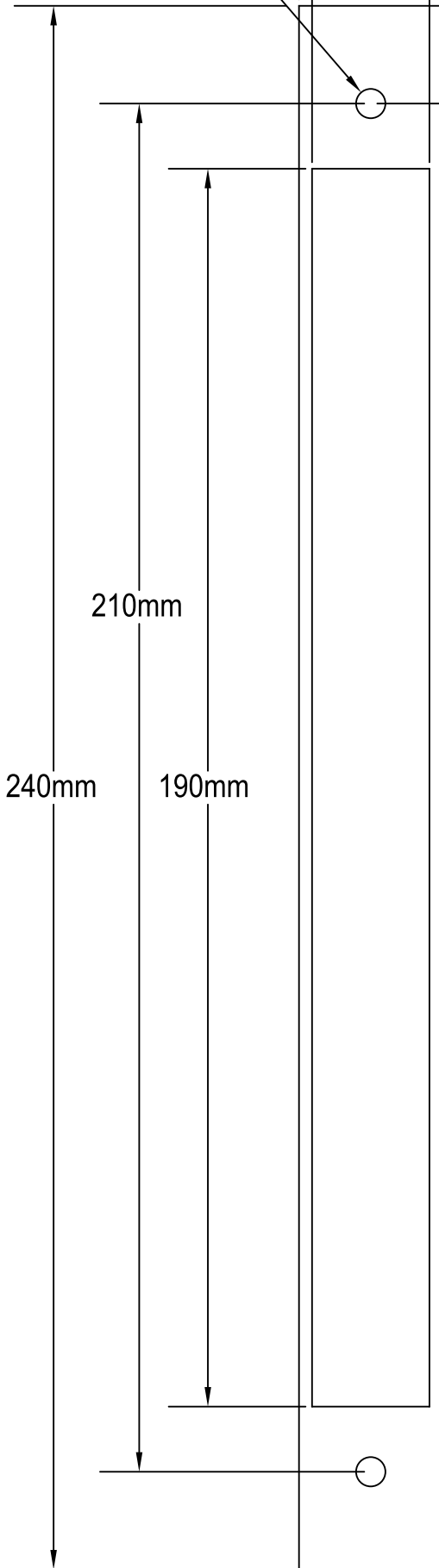
Width

22mm

Faceplate

18mm

$\phi 4.5$



Sliding Screw Design.
Drill hole to actual position

Hole-drilling Drawing

Ratio 1:1

Drill holes as to this drawing

